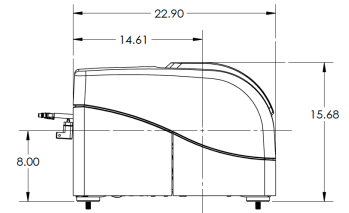


# SEAKEEPER 1 SPECS

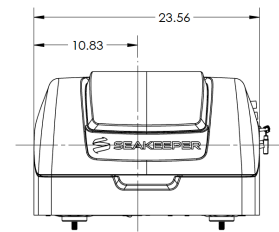


The Seakeeper 1 is designed to eliminate up to 95% of boat roll on recreational vessels ~23 to 30 feet (7-9 meters) or up to ~5.5 tons. It features a flush mount design for easier installation, runs exclusively on 12V DC power, has no outside appendages and can be installed virtually anywhere on board.

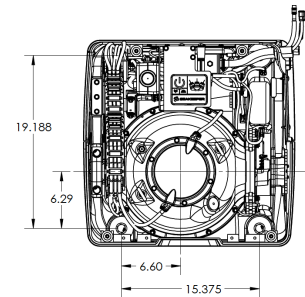
## PORT VIEW



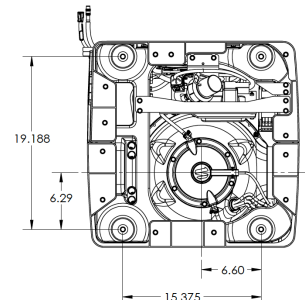
## FRONT VIEW



## TOP VIEW



## BOTTOM VIEW



## TECH SPECS

<b>Rated Speed</b>	9,750 RPM
<b>Angular Momentum at Rated RPM</b>	1,000 N-M-S
<b>Max Anti-Rolling Torque at Rated RPM</b>	2,620 N-M
<b>Spool-up Time to Rated RPM</b>	30 minutes (9,750 RPM)
<b>Spool-up Time to Stabilization</b>	15 minutes (7,310 RPM)
<b>Spool-up Power</b>	
DC Input	600 Watts Max
DC Input Voltage	12 VDC @ 55 Amps
<b>Operating Power</b>	
DC Control	300 - 600 Watts (Sea State Dependent)
DC Input Voltage	12 VDC @ 55 Amps
<b>Weight</b>	365 lbs (165 kg) Approximately
<b>Envelope Dimensions</b>	Length x Width x Height 22.9 L x 23.6 W x 15.7 H (Inches) 0.582 L x 0.598 W x 0.398 H (Meters)