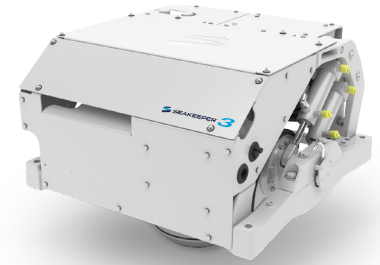


They say great things come in small packages and we set out to prove it. The Seakeeper 3 is our biggest smallest thing yet, specially designed to eliminate roll on ~30' - 39' boats. Refits have never been easier than with the Seakeeper 3's leaning post installation option!

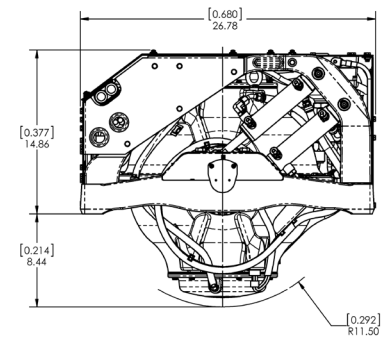


TECH SPECS

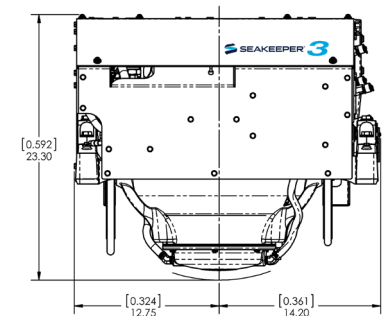
| | |
|---|--|
| Rated Speed | 8,450 RPM |
| Angular Momentum at Rated RPM | 3,000 N-M-S |
| Max Anti-Rolling Torque at Rated RPM | 7,854 N-M |
| Spool-up Time to Rated RPM | 50 minutes (8,450 RPM) |
| Spool-up Time to Stabilization | 36 minutes (7,185 RPM) |
| DC Input Voltage | 12 VDC @ 85 Amps |
| Spool-up Power | |
| DC | 900 Watts Max |
| Operating Power | |
| DC | 400 - 750 Watts (Sea State Dependent) |
| Sea Water Supply to Heat Exchanger | 2 - 6 Gal/Min. |
| Ambient Air Temperature | 0° - 60° C (32° - 140° F) |
| Weight | 550 lbs (249 kg) |
| Envelope Dimensions | Length x Width x Height 26.8 L x 27.0 W x 22.5 H (Inches) 0.681 L x 0.686 W x 0.572 H (Meters) |
| Noise Output | <72 dBC at 1 meter |

* Preliminary - Subject to Change

PORT VIEW



FRONT VIEW



TOP VIEW

