

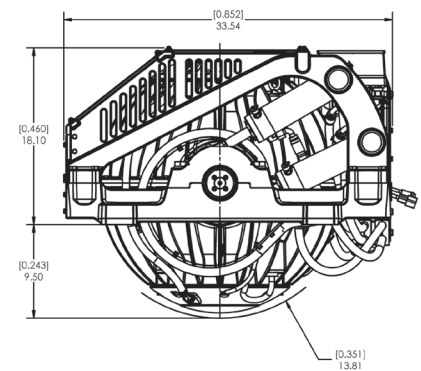
An evolution of our original M7000, the Seakeeper 9 is the product that changed the boating experience forever! Specially designed to stabilize boats ~50' - 59', or up to ~30 tons.



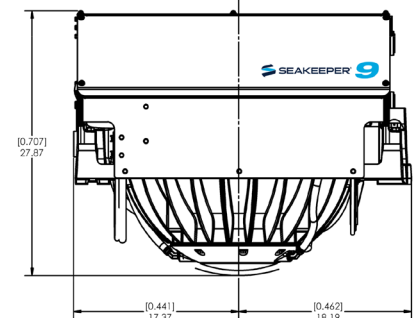
TECH SPECS

Rated Speed	9,000 RPM
Angular Momentum at Rated RPM	9,000 N-M-S
Max Anti-Rolling Torque at Rated RPM	18,810 N-M
Spool-up Time to Rated RPM	55 minutes (9,000 RPM)
Spool-up Time to Stabilization	38 minutes (7,650 RPM)
Spool-up Power	
AC Motor	3000 Watts Max
DC Control	240 Watts
Operating Power	
AC Motor (sea state dependent)	1500 - 2000 Watts
DC Control	240 Watts
AC Input Voltage	208 - 230 VAC (+/- 10%), 50/60 Hz, Single Phase
DC Input Voltage	24 VDC @ 10 Amps
Sea Water Supply to Heat Exchanger	30 LPM (8 GPM) Maximum 15 LPM (4 GPM) Minimum
Ambient Air Temperature	0° - 60° C (32° - 140° F)
Weight	1,210 lbs (550 kg) Bolt-in Installation
Envelope Dimensions	Length x Width x Height 33.5 L x 35.6 W x 28.3 H (Inches) 0.852 L x 0.903 W x 0.720 H (Meters)
Noise Output	At full operating RPM, steady state noise measured in the factory at a 1 meter distance measures 68 - 70 dBC. (Sound levels may be higher during spool-up)

PORT VIEW



FRONT VIEW



TOP VIEW

